

Model Naming Rules 型号命名规则



Specifications 规格

	EKR8-2010	EKR8-2020	EKR8-2110	EKR8-2210
Supply System Type 供应系统类型	Call / Reset	Call / Reset	Step / Monostable	Step
Power Indicator (Green LED) 电源指示灯	•	•	•	•
Rated Current 额定电流	5A / 16A	5A / 16A	5A / 16A	5A / 16A
Work Indicator (Red LED) 工作指示灯	•	•	•	•
Output Characteristics 输出特性	SPDT	DPDT	SPDT	SPDT
Working Voltage 工作电压(AC12V or DC12V)	•	•	•	•
Working Voltage 工作电压(AC24V or DC24V)	•	•	•	•
Working Voltage 工作电压(AC110V)	•	•	•	•
Working Voltage 工作电压(AC220V)	•	•	•	•
Working Voltage 工作电压(AC/DC12V~240V)	•	•	•	•
Step Sequence 步进序列	-	-	-	Step 0

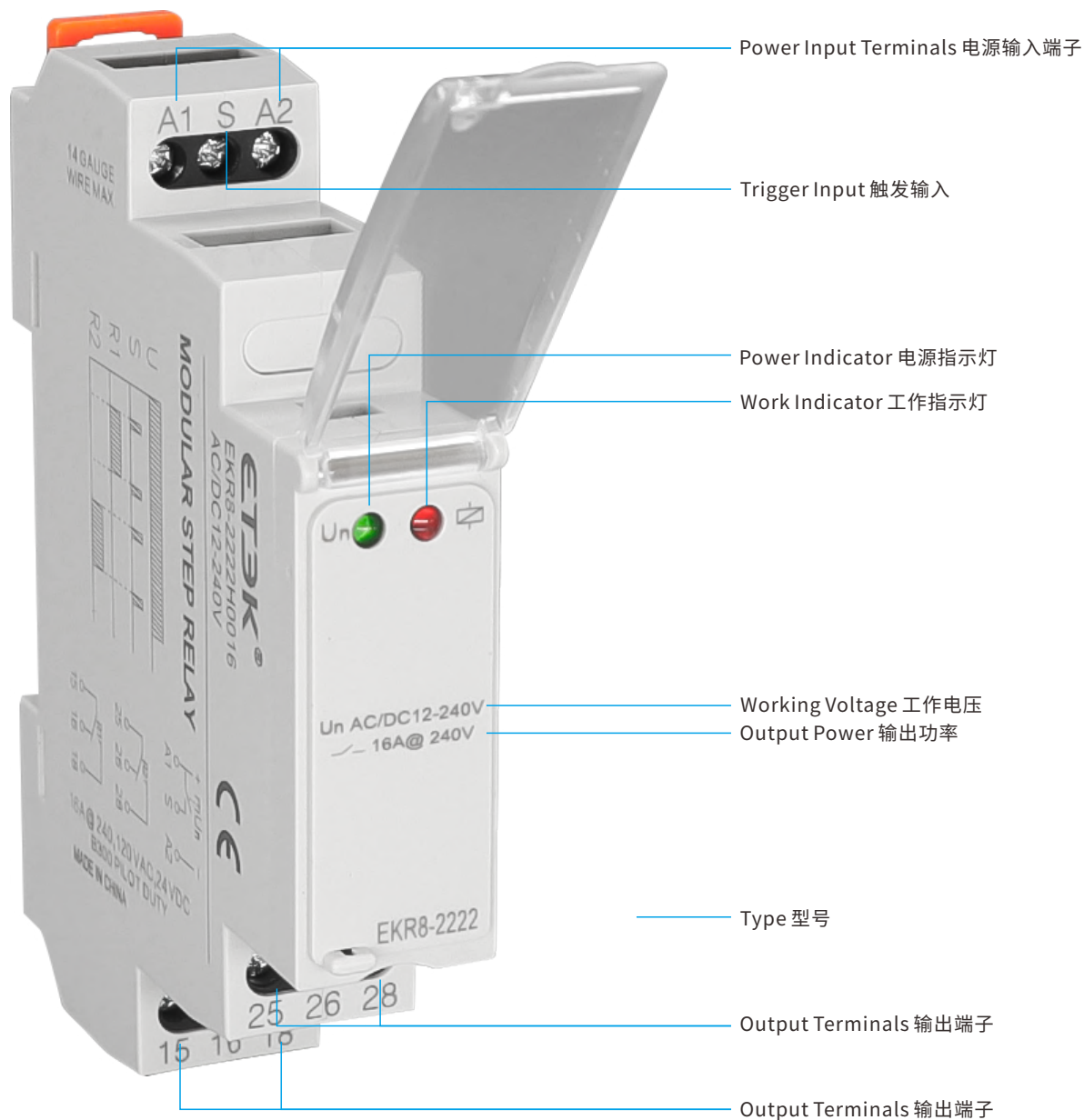
	EKR8-2220	EKR8-2221	EKR8-2222	EKR8-2223
Supply System Type 供应系统类型	Step	Step	Step	Step
Power Indicator (Green LED) 电源指示灯	•	•	•	•
Rated Current 额定电流	5A / 16A	5A / 16A	5A / 16A	5A / 16A
Work Indicator (Red LED) 工作指示灯	•	•	•	•
Output Characteristics 输出特性	DPDT	DPDT	DPDT	DPDT
Working Voltage 工作电压(AC12V or DC12V)	•	•	•	•
Working Voltage 工作电压(AC24V or DC24V)	•	•	•	•
Working Voltage 工作电压(AC110V)	•	•	•	•
Working Voltage 工作电压(AC220V)	•	•	•	•
Working Voltage 工作电压(AC/DC12V~240V)	•	•	•	•
Step Sequence 步进序列	Step 0	Step 1	Step 2	Step 3

EKR8-2 Series Step / Monostable & Call / Reset Relay

步进/单稳态 & 呼叫/复位继电器

Front view: function selector and regulators

前视图：功能选择器和调节器



呼叫/复位继电器

Call/Reset Relay 呼叫/复位继电器

Floor fire safety alarm system (The fire alarm switch on each floor is the call switch, which can only be turned on but can't be turned off. The reset switch is installed in the control room and supervised by a specially assigned person.)
楼层消防安全报警系统(每层的火警开关,就是呼叫开关,只能开,不能关。复位开关安装在控制室,并由专人监管。)

There's also small-scale call system with low cost (Community hospitals, welfare homes, or some small-scale places that need constant supervision. Each room or each bed is equipped with a call switch for emergency use. Reset switch is installed in designated place under supervision.)
小范围低成本呼叫系统(社区医院、福利院或者一些需要时刻监管的小范围场所。每个房间或者每个床位配置一个呼叫开关,以备紧急情况用。复位开关安装在受监管下的指定场所。)

EKR8-2 Series



Technical Data 技术数据	EKR8-2010	EKR8-2020
Output Characteristics 输出特性	SPDT	DPDT
Rated Current 额定电流	5A/16A	5A/16A
Working Voltage 工作电压	Single Voltage 单电压: AC12V, AC24V, AC110V, AC220V, DC12V, DC24V Wide Voltage 宽电压: AC/DC12-240V	
Functions 功能		
Dimensions外形尺寸图:in 英寸(mm 毫米)		
Wiring Diagrams 接线图	<p>EKR8-2010</p>	<p>EKR8-2020</p>

步进/单稳态继电器

Step/Monostable Relay 步进/单稳态继电器

To control the overturn of working state for the device.
控制设备工作状态的翻转

Control input can be continuously applied.
控制输入可连续应用

Longer mechanical and electrical life, and much quieter than electromechanical step relays.
机械和电气寿命更长,比传统机电步进继电器更安静

Suitable for installation on 35mm rail (in accordance with EN 60715 standard)
适合安装在35mm导轨上(符合 EN60715标准)

EKR8-2 Series



Technical Data 技术数据

EKR8-2110

Output Characteristics 输出特性

SPDT

Rated Current 额定电流

5A/16A

Working Voltage 工作电压

Single Voltage 单电压: AC12V, AC24V, AC110V, AC220V, DC12V, DC24V
Wide Voltage 宽电压: AC/DC12-240V

Functions 功能

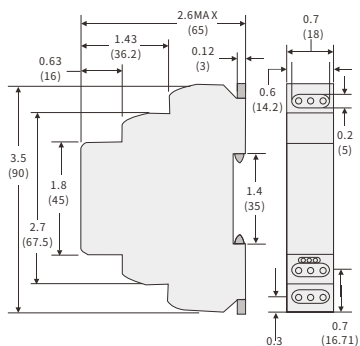


Step 步进

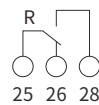
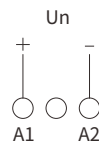


Monostable 单稳态

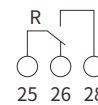
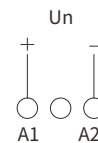
Dimensions 外形尺寸图: in 英寸 (mm 毫米)



Wiring Diagrams 接线图



Step 步进



Monostable 单稳态

EKR8-2110

步进继电器

Step Relay

步进继电器

The self-resetting switch is used to replace traditional mechanical structure wall switch.

Mains power and lower safety voltage can be used.

It has high safety and long life. It can easily realize multi-point control and get rid of the embarrassment of dual switches.

采用自复位开关替代传统机械结构的墙壁开关。

可采用市电和更低的安全电压，安全性高，寿命长。可轻松实现多点控制，摆脱双联开关的尴尬。

Suitable for installation on 35mm rail (in accordance with EN 60715 standard)

适合安装在35mm导轨上(符合 EN60715标准)

EKR8-2 Series



Technical Data 技术数据	EKR8-2210	EKR8-2220
Output Characteristics 输出特性	SPDT	DPDT
Rated Current 额定电流	5A/16A	5A/16A
Working Voltage 工作电压	Single Voltage 单电压: AC12V,AC24V,AC110V,AC220V,DC12V,DC24V Wide Voltage 宽电压: AC/DC12-240V	
Functions 功能	<p style="text-align: center;">Step0</p>	<p style="text-align: center;">Step0</p>
Dimensions外形尺寸图:in 英寸 (mm 毫米)		
	<p style="text-align: center;">Wiring Diagrams 接线图</p> <p style="text-align: center;">EKR8-2210</p>	<p style="text-align: center;">EKR8-2220</p>

步进继电器

Step Relay

步进继电器

The state of output switch can be combined from many different ways, similar to universal change-over switch, combination types can be customized according to clients requirement;

输出开关状态转换组合, 类似万能转换开关, 组合类型可根据客户需求订制。

Suitable for installation on 35mm rail (in accordance with EN 60715 standard)

适合安装在35mm导轨上(符合 EN60715标准)

EKR8-2 Series



Technical Data 技术数据

Output Characteristics 输出特性

EKR8-2221

DPDT

EKR8-2222

DPDT

Rated Current 额定电流

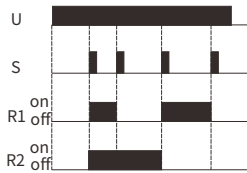
5A/16A

5A/16A

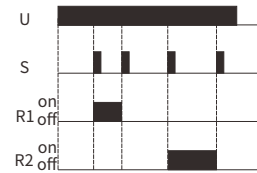
Working Voltage 工作电压

Single Voltage 单电压: AC12V, AC24V, AC110V, AC220V, DC12V, DC24V
Wide Voltage 宽电压: AC/DC12-240V

Functions 功能

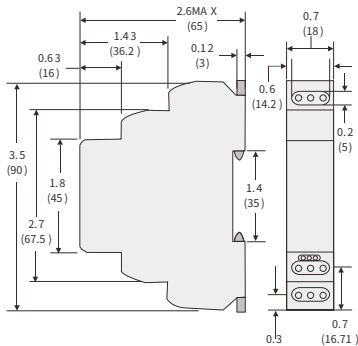


Step1

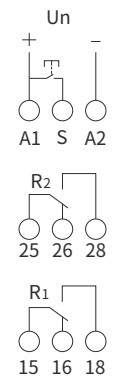


Step2

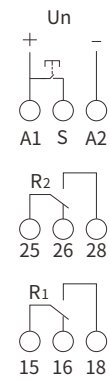
Dimensions 外形尺寸图: in 英寸 (mm 毫米)



Wiring Diagrams 接线图



EKR8-2221



EKR8-2222

步进继电器

Step Relay

步进继电器

The state of output switch can be combined from many different ways, similar to universal change-over switch, combination types can be customized according to clients requirement;

输出开关状态转换组合, 类似万能转换开关, 组合类型可根据客户需求订制。

Suitable for installation on 35mm rail (in accordance with EN 60715 standard)

适合安装在35mm导轨上(符合 EN60715标准)

EKR8-2 Series



Technical Data 技术数据

EKR8-2223

Output Characteristics 输出特性

DPDT

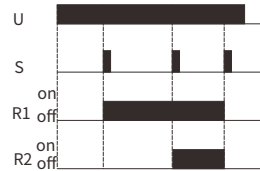
Rated Current 额定电流

5A/16A

Working Voltage 工作电压

Single Voltage 单电压: AC12V, AC24V, AC110V, AC220V, DC12V, DC24V
Wide Voltage 宽电压: AC/DC12-240V

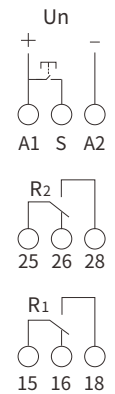
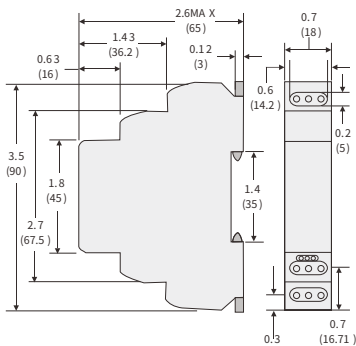
Functions 功能



Step3

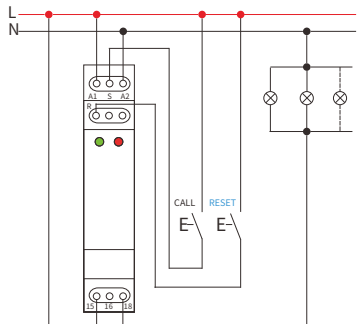
Dimensions 外形尺寸图: in 英寸 (mm 毫米)

Wiring Diagrams 接线图

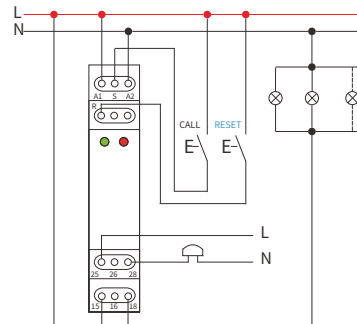


EKR8-2223

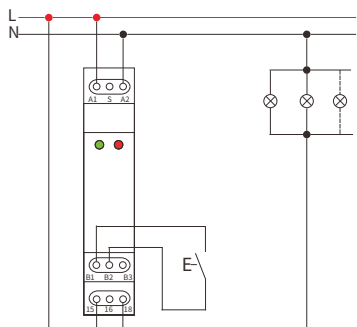
EKR8-2010系列 Working Wiring Diagram 工作接线图(SPDT)



EKR8-2020系列 Working Wiring Diagram 工作接线图(DPDT)

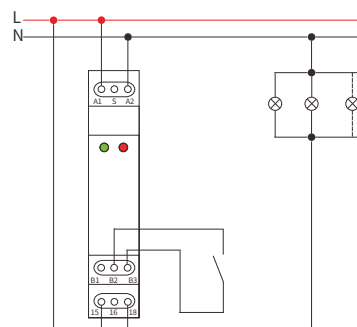


EKR8-2110系列 Working Wiring Diagram 工作接线图(SPDT)



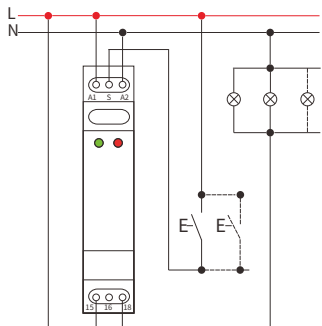
Step 步进

EKR8-2110系列 Working Wiring Diagram 工作接线图(SPDT)



Monostable 单稳态

EKR8-2210系列 Working Wiring Diagram 工作接线图(SPDT)



EKR8-2220 EKR8-2221 EKR8-2222 EKR8-2223系列 Working Wiring Diagram 工作接线图(DPDT)

